

turborex

PATENTED PNEUMATIC BRAKE



PATENTED TENSION BRAKE WITH MULTIDISC SYSTEM AND DOUBLE FAN VENTILATION

The Turborex, pioneer of eco-friendly brakes improves the unwinding efficiency while ensuring the highest performance and the least maintenance requirements for spare parts.

Thanks to double-fan ventilation, the brake reaches lower and more uniform temperatures, even in the most demanding applications.

This prevents brake components from overheating, avoids flickering during tensioning, and allows more contained and homogeneous pad wear, as well as less powder pollution.

Turborex can fit any applications thanks to its high versatility that ensures the maximum sensitivity.

HIGH POWER DISSIPATION

up to 14 kW

MAXIMUM SENSITIVITY

the piston configuration can be customized according to torque requirements

100% PLUG AND PLAY

multiple air connections; turborex matches all existing control systems

REDUCED MAINTENANCE

discs and pads kit specially designed to last

LINEAR TENSION CONTROL

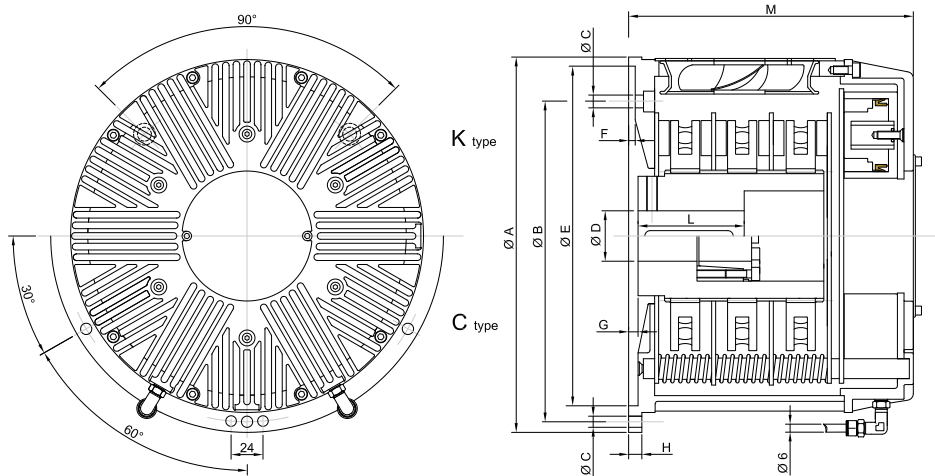
brake components providing high performances through the whole working process

EASY AND FAST INSTALLATION

customizable flange to fit all roll stands, no modification to the machine are required

TSHD

The Selematic system is a great solution for applications that process more than one material, with different roll widths and diameters, or that require maximum sensitivity for tensioning and emergency stop.



dimensions K type				dimensions C type		
	TS HD 160	TS HD 180	TS HD 240		TS HD 160	TS HD 180
A	266	266	340	A	296	296
B	218	218	322	B	280	280
C	4x10.5	4x10.5	4x12.5	C	6x8.5	6x8.5
D max	60	60	90	D max	60	60
E +0.1/ +0.05	256	256	306	E +0.01/ +0.05	256	256
F	5	5	5	F	5	5
G	5	5	8	G	5	5
H	/	/	21	H	12	12
L	60÷93	60÷140	60÷156	L	60÷93	60÷140
M	164	198	232	M	164	198

TSHD180	TS HD 180.30	TS HD 180.40	TS HD 180.60	TS HD 180.75	TS HD 180.120
min torque Nm (0,2 bar)	3	4	6	8	12
max torque Nm (6 bar)	298	396	562	750	1125
heat dissipation (standard fan)	5 kW	5 kW	5 kW	5 kW	5 kW
heat dissipation (hp fan)	9 kW	9 kW	9 kW	9 kW	9 kW

TSHD160	TS HD 160.15	TS HD 160.20	TS HD 160.25	TS HD 160.40	TS HD 160.50
min torque Nm (0,2 bar)	2	3	4	5	8
max torque Nm (6 bar)	132	198	264	382	500
heat dissipation (standard fan)	3 kW	3 kW	3 kW	3 kW	3 kW
heat dissipation (no fan)	1.5 kW	1.5 kW	1.5 kW	1.5 kW	1.5 kW

TSHD240	TS HD 240.50	TS HD 240.80	TS HD 240.100	TS HD 240.150	TS HD 240.210
min torque Nm (0,2 bar)	17	26	35	52	70
max torque Nm (6 bar)	525	787	1050	1575	2100
heat dissipation (standard fan)	12 kW	12 kW	12 kW	12 kW	12 kW
heat dissipation (hp fan)	14 kW	14 kW	14 kW	14 kW	14 kW